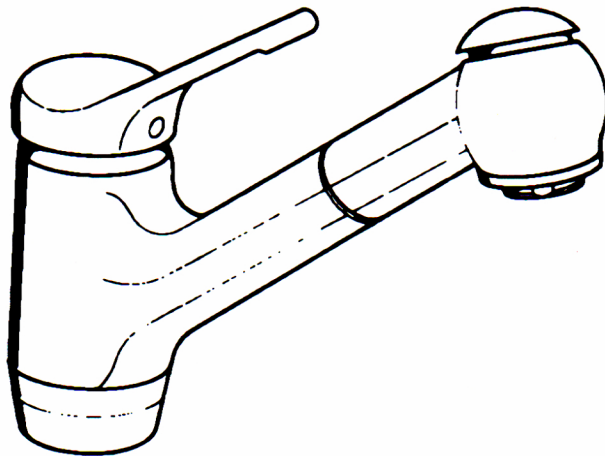


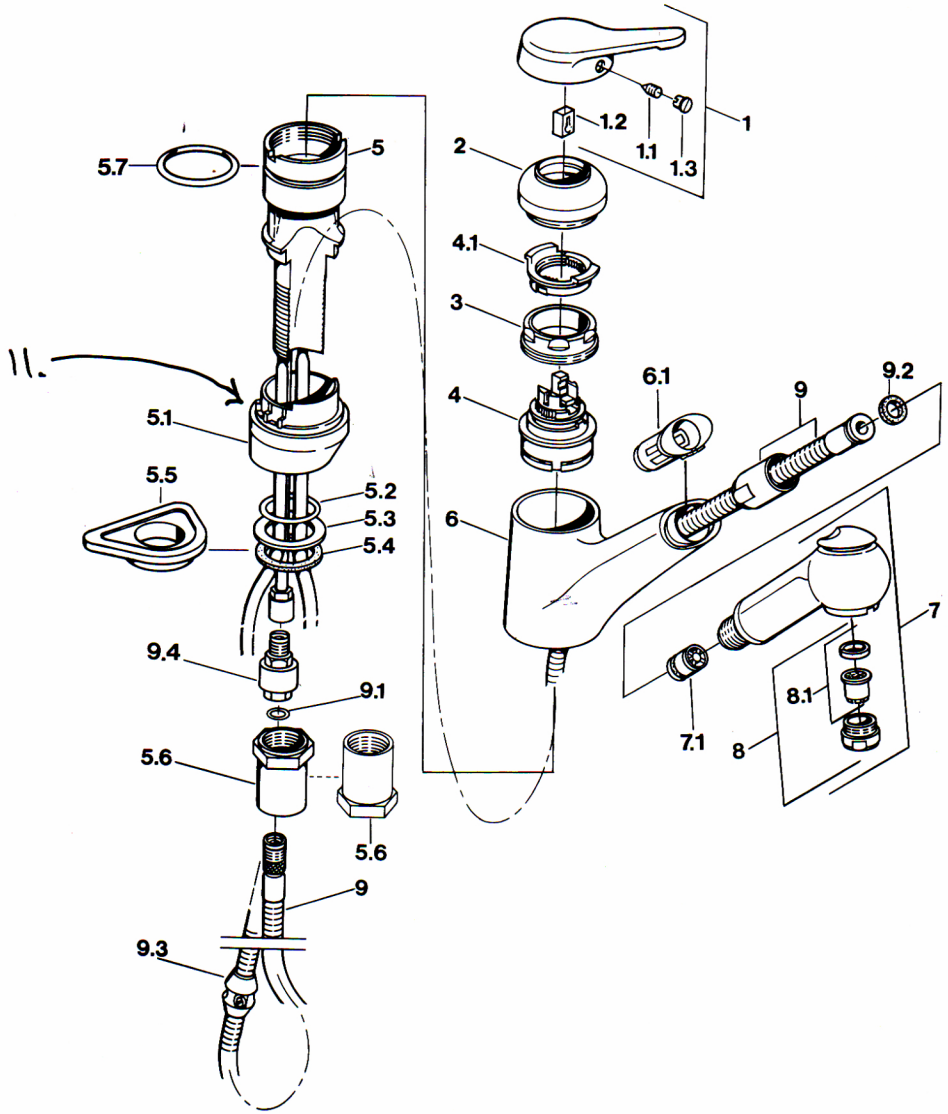


HANSARONDA Single lever sink mixer with swivelling spout, handspray
HANSARONDA Mitigeur évier monocommande avec bras de douche, pivotant

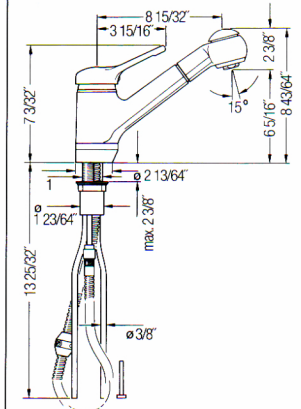
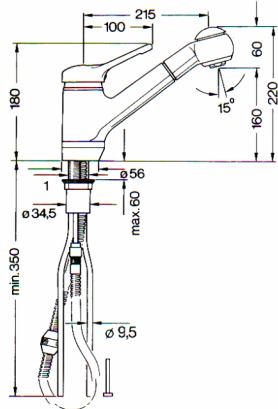


338 21 _ 1 _ _

1.07



No. 338 21_1





HANSA

HANSARONDA Single lever sink mixer with swivelling spout, handspray
HANSARONDA Mitigeur évier monocommande avec bras de douche, pivotant

Pos. réf.	Description / description	chromé / chrome 338213117	white / blanc 338218120	Bicolor-chrome brass / Bicolor: chromé laiton-color 338218125	Bicolor-white brass / Bicolor: blanc laiton-color 338218126
1.	Lever / levier	910 346	910 349		
1.1	Screw / vis de fixation	904 755 ²	←	←	←
1.2	Sleeve / insert pr. levier	904 778 ²	←	←	←
1.3	Plug / repair ch/fr.	906 705 ²	←	←	←
2.	Cover cap / capuchon	910 329	910 332	←	910 334
3.	Ring bolt / écrou de cartouche	904 890	←	←	←
4.	Cartridge / cartouche céramique	904 601 ²	←	←	←
4.1	Stop ring / bague a butée	904 759 ²	←	←	←
5.	Housing / corps				
5.1	Support ring / socle	910 384	910 386	←	910 390
	Decor ring / anneau décor			←	910 529
5.2	O-ring / joint torique	910 236 ²	←	←	←
5.3	Seal / joint	902 283 ²	←	←	←
5.4	Sliding ring / rondelle	904 893	←	←	←
5.5	Support ring / douille de guidage	910 008	←	←	←
5.6	Screw union / écrou de serrage	904 894	←	←	←
5.7	O-ring / joint torique	906 351	←	←	←
6.	Shower arm / bec	910 391	910 393	←	←
6.1	Guiding sleeve / embout de bec	910 630	←	←	←
7.	Handshower, diverter / douchette, inverseur	911 404	911 405	911 406	911 407
7.1	Return flow preventer / clapet anti-retour	905 714	←	←	←
8.	Aerator / aérateur	906 826	906 828	←	906 974
8.1	Aerator insert / grille pr. aérateur	905 901 ²	←	←	←
9.	Metal hose / flexible métallique	905 067	←	←	←
9.1	O-ring / joint torique	902 337	←	←	←
9.2	Seal / joint	905 070 ²	←	←	←
9.3	Lead stop / plomb contrepoids	905 891	←	←	←
9.4	Return flow preventer / clapet anti-retour	910 801	←	←	←

11.0 O-RING AT BASE A02634 ~~59 905 067~~

For the US market add "59" to the part number. example: 59 905 067